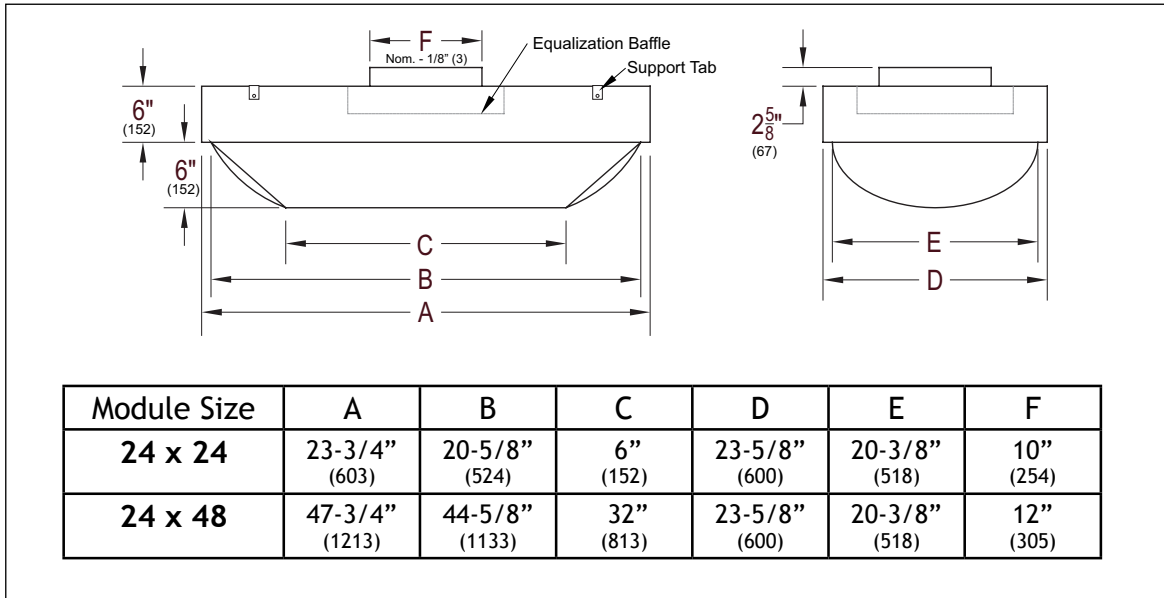
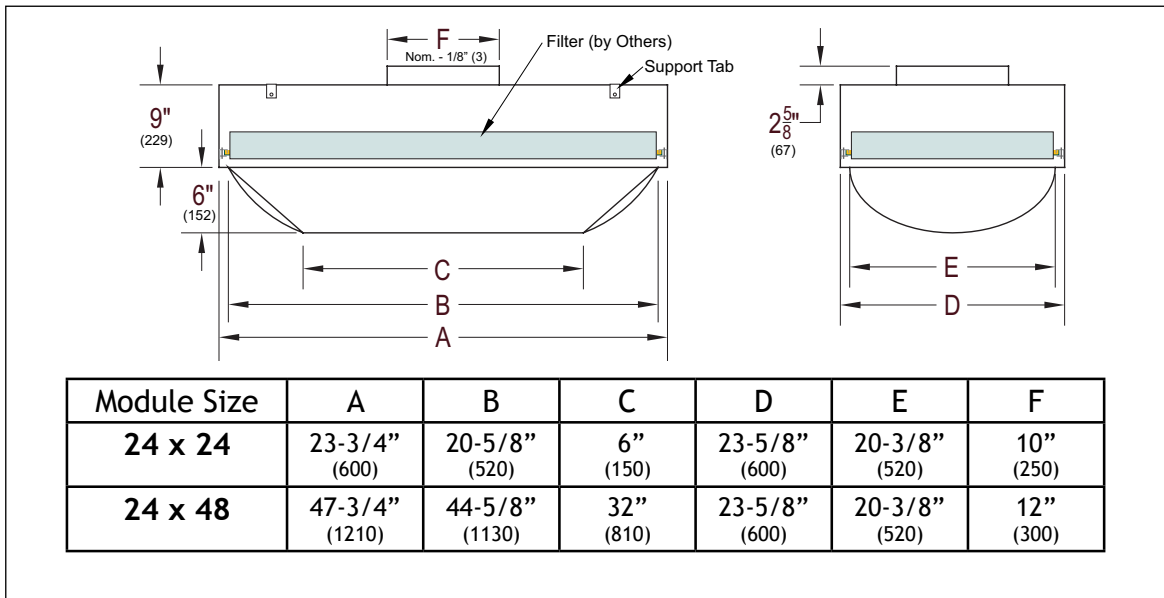


All Unfiltered Models



All Filtered Models



Note: All Metric dimensions () are converted from imperial dimensions and rounded to the nearest millimeter.